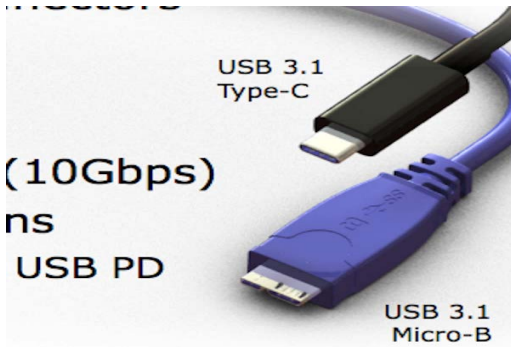
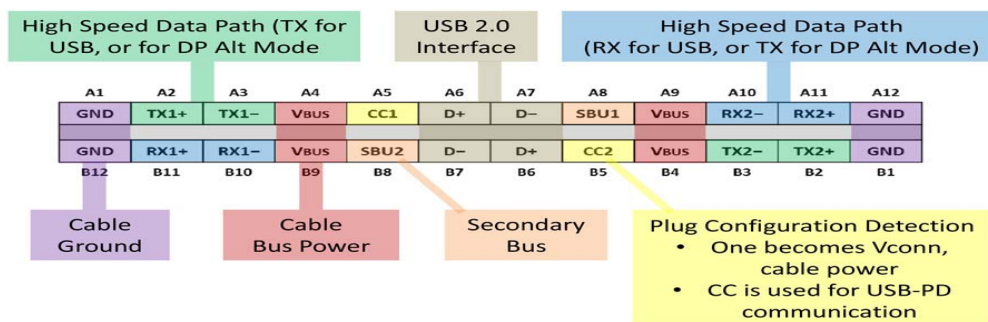


USB Type_C

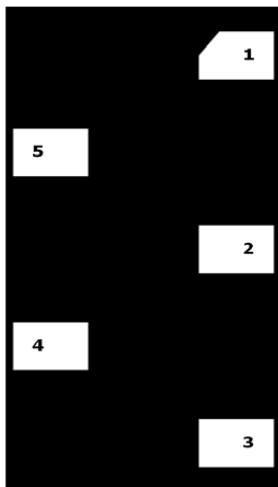
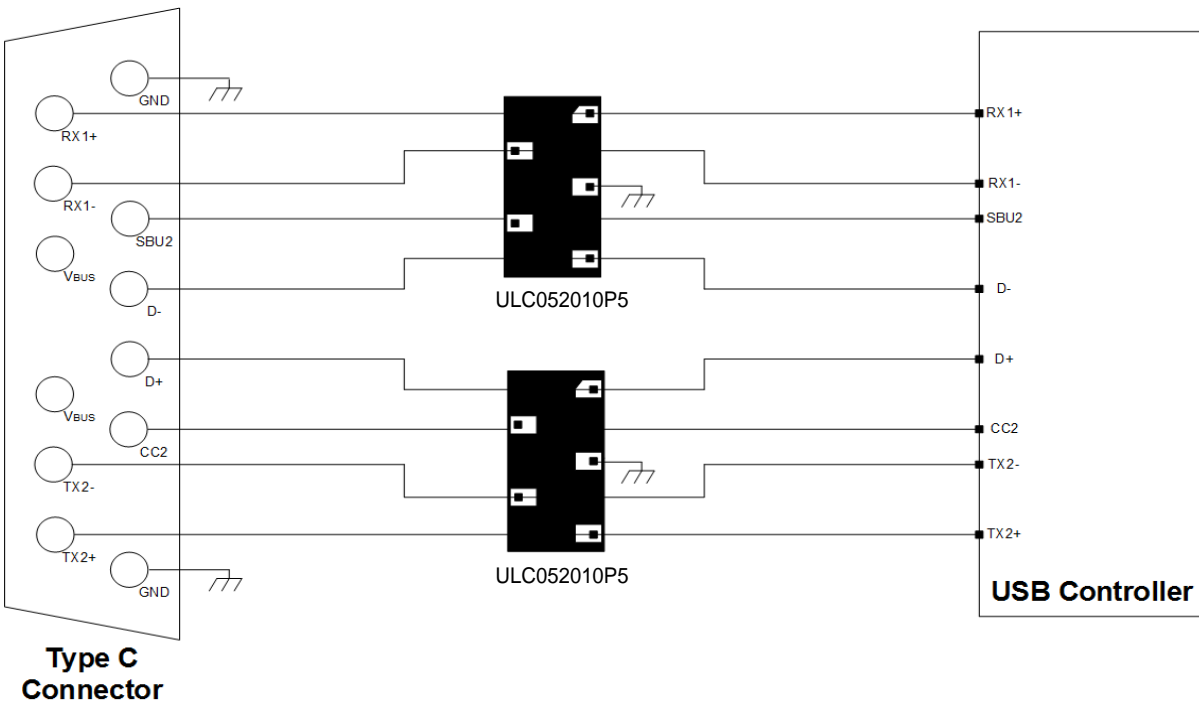


USB Type-C Receptacle Pins

Pins defined for system or device receptacle



ULC052010P5



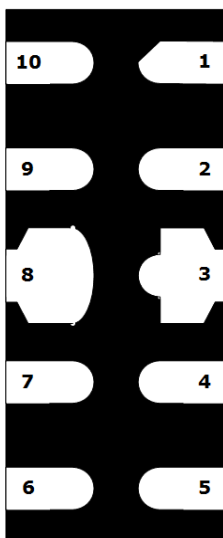
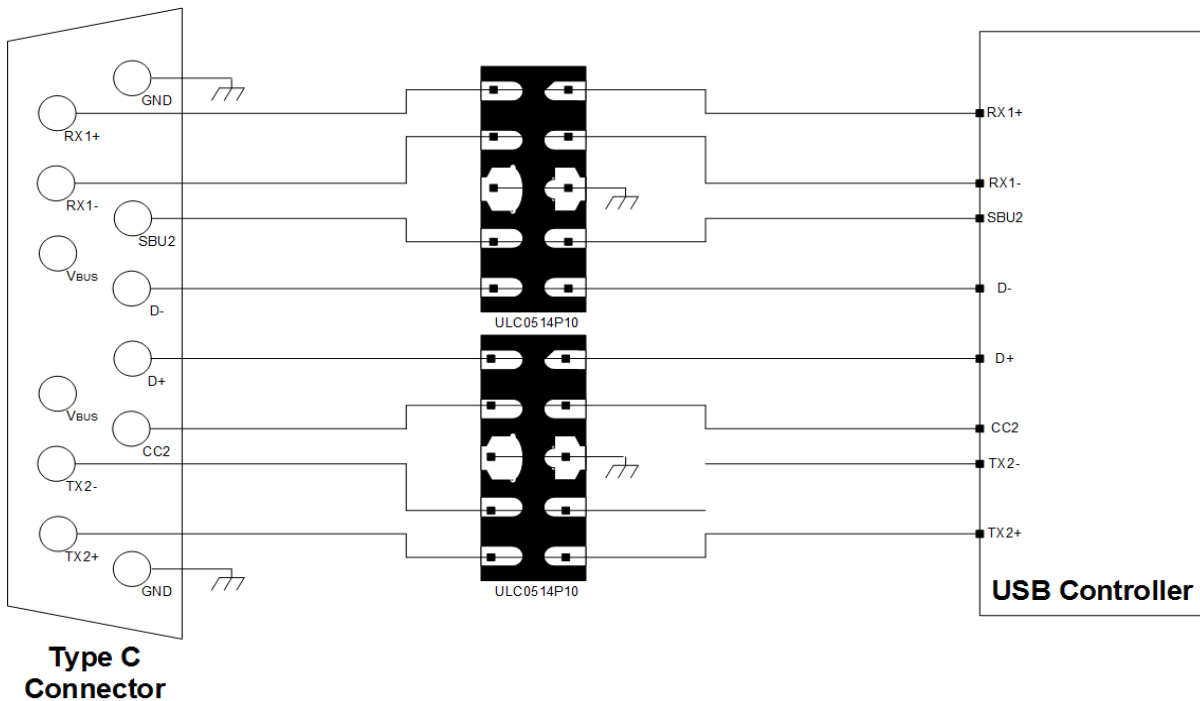
Mechanical Characteristics

Package : DFN2010P5 (0.2pF)
 Pb-Free, Halogen Free Compliant
 Nominal Dimensions: 2.00 x 1.00 x 0.40 mm
 Molding Compound Flammability Rating: UL 94V-0
 Packaging : Tape and Reel (3,000 pcs)

Applications

Automotive Applications
 Industrial Equipment
 USB 3.1 & HDMI 2.0 Interfaces
 Display Port 1.2
 Thunderbolt Interface
 V-By-One Interface

ULC0514P10



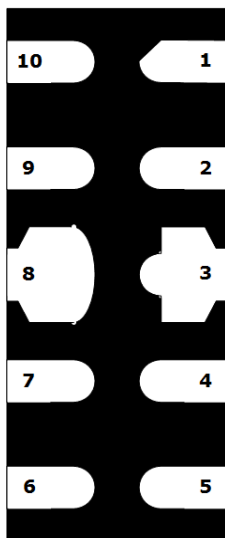
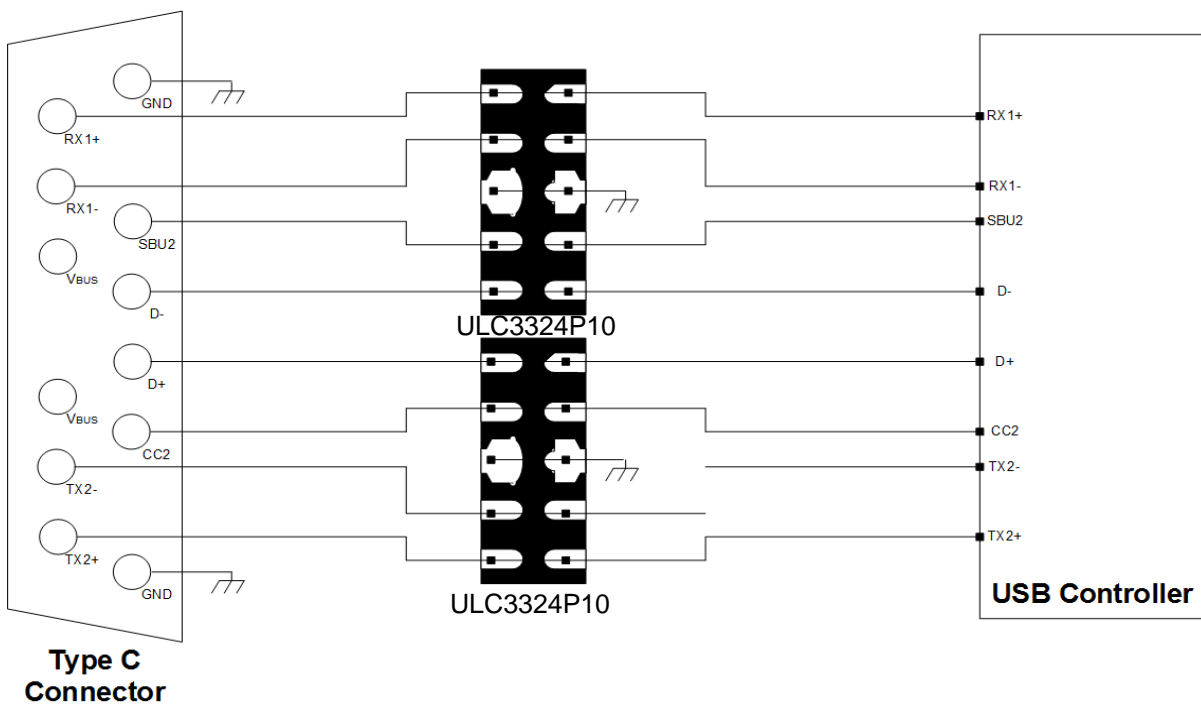
Mechanical Characteristics

Package : DFN2510P10 (0.2 pF)
 Pb-Free, Halogen Free Compliant
 Nominal Dimensions: 2.50 x 1.00 x 0.50 mm
 Molding Compound Flammability Rating: UL 94V-0
 Packaging : Tape and Reel (3,000 pcs)

Applications

Automotive Applications
 Industrial Equipment
 USB 3.1 & HDMI 2.0 Interfaces
 Display Port 1.2
 Thunderbolt Interface
 V-By-One Interface

ULC3324P10



Mechanical Characteristics

Package : DFN2510P10 (0.25 pF) 3.3V
 Pb-Free, Halogen Free Compliant
 Nominal Dimensions: 2.50 x 1.00 x 0.50 mm
 Molding Compound Flammability Rating: UL 94V-0
 Packaging : Tape and Reel (3,000 pcs)

Applications

Automotive Applications
 Industrial Equipment
 USB 3.1 & HDMI 2.0 Interfaces
 Display Port 1.2
 Thunderbolt Interface
 V-By-One Interface